

Bumper Stop 105L x 25W x 38H

Product SKU: 6001213

Great for creating a reliable buffer stop for a variety of general applications.

Made from a hardwearing blend of SBR/NR rubber, these buffer stops come in two sizes as standard. Can be fitted to the desired surface via the two counter sunk drill-holes. Suitable for protecting against harsh impacts in a range of applications such as on boats, lorries, and sliding doors.

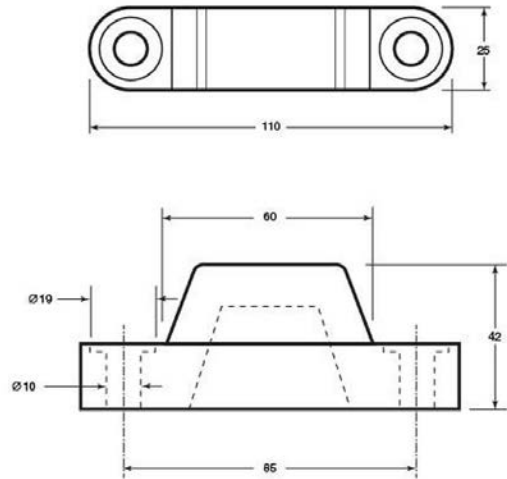
Colour: Black

Material: NR/SBR

Operating temperature range: -15°C to 70°C

Physical Property	Unit	Typical Values
Hardness	ShA	75
Elongation at Break	%	200
Tensile Strength	MPa	4
Weight	KG	0.073

Although the technical details and recommendations made correspond to the best of our knowledge and experience, all the above information must, in every case, be taken as merely indicative and subject to confirmation after long-term practical application; for this reason, anyone who intends to use Polymax products must ensure beforehand that it is suitable for the envisaged application. In every case, the user alone is fully responsible for any consequences deriving from the use of the product. All sales subject to our standard terms www.polymax.co.uk/sales-terms



Bumper Stop 110L x 25W x 42H

Product SKU: 6001214

Great for creating a reliable buffer stop for a variety of general applications.

Made from a hardwearing blend of SBR/NR rubber, these buffer stops come in two sizes as standard. Can be fitted to the desired surface via the two counter sunk drill-holes. Suitable for protecting against harsh impacts in a range of applications such as on boats, lorries, and sliding doors.

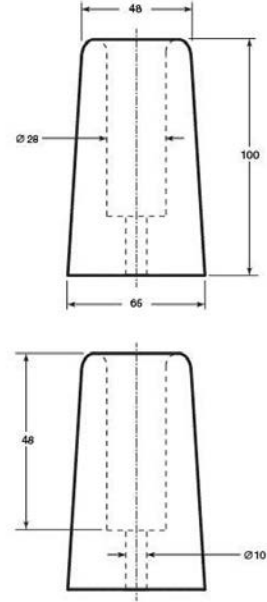
Colour: Black

Material: NR/SBR

Operating temperature range: -15°C to 70°C

Physical Property	Unit	Typical Values
Hardness	ShA	75
Elongation at Break	%	200
Tensile Strength	MPa	4
Weight	KG	0.0095

Although the technical details and recommendations made correspond to the best of our knowledge and experience, all the above information must, in every case, be taken as merely indicative and subject to confirmation after long-term practical application; for this reason, anyone who intends to use Polymax products must ensure beforehand that it is suitable for the envisaged application. In every case, the user alone is fully responsible for any consequences deriving from the use of the product. All sales subject to our standard terms www.polymax.co.uk/sales-terms



Conical Bumper 65D x 100H

Product SKU: 6006100

Our conical rubber bumpers will suit applications that require a taller spacer or buffer.

These rubber bumpers are made from a hardwearing blend of SBR/NR rubber and come in two sizes as standard. They can be fitted to any surface via the pre-drilled counter sunk hole that requires an M10 fixing bolt - sold separately.

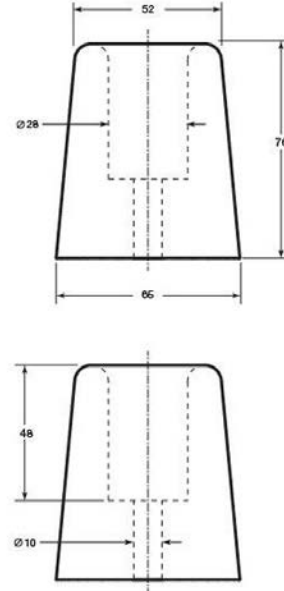
Colour: Black

Material: NR/SBR

Operating temperature range: -15°C to 70°C

Physical Property	Unit	Typical Values
Hardness	ShA	75
Elongation at Break	%	200
Tensile Strength	MPa	4
Weight	KG	0.27

Although the technical details and recommendations made correspond to the best of our knowledge and experience, all the above information must, in every case, be taken as merely indicative and subject to confirmation after long-term practical application; for this reason, anyone who intends to use Polymax products must ensure beforehand that it is suitable for the envisaged application. In every case, the user alone is fully responsible for any consequences deriving from the use of the product. All sales subject to our standard terms www.polymax.co.uk/sales-terms



Conical Bumper 65D x 52H

Product SKU: 6006101

Our conical rubber bumpers will suit applications that require a taller spacer or buffer.

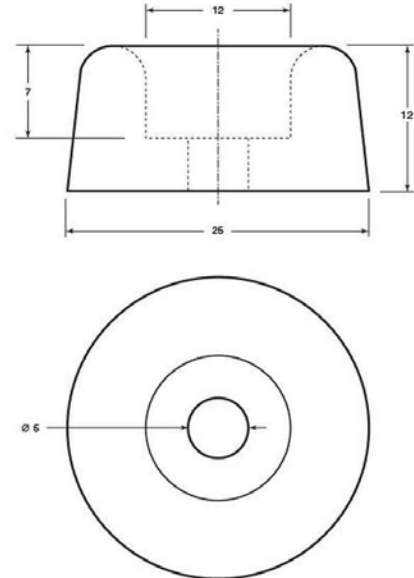
These rubber bumpers are made from a hardwearing blend of SBR/NR rubber and come in two sizes as standard. They can be fitted to any surface via the pre-drilled counter sunk hole that requires an M10 fixing bolt - sold separately.

Colour: Black

Material: NR/SBR

Operating temperature range: -15°C to 70°C

Physical Property	Unit	Typical Values
Hardness	ShA	75
Elongation at Break	%	200
Tensile Strength	MPa	4
Weight	KG	0.22



Cylindrical Bumper 25D x 12H

Product SKU: 6001199

Hardwearing rubbers stoppers suitable for a range of general applications. Can be used as spacers, door stops or as replacement feet.

Polymax rubber stoppers work great as door stops or as screw on rubber feet. They are made from a hard wearing SBR/NR blend and are available in a variety of shapes and sizes to suit your application. The cylindrical bumpers are most suitable for areas where buildings or corners need to be protected from swinging doors or trolleys for example.

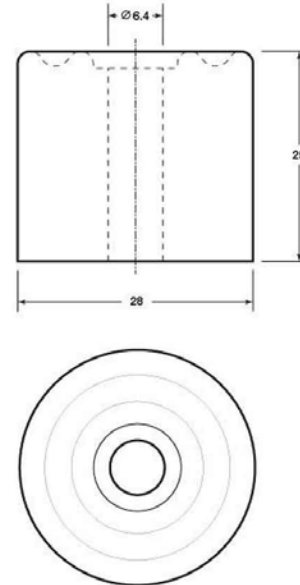
Colour: Black

Material: NR/SBR

Operating temperature range: -15°C to 70°C

Physical Property	Unit	Typical Values
Hardness	ShA	75
Elongation at Break	%	200
Tensile Strength	MPa	4
Weight	KG	0.005

Although the technical details and recommendations made correspond to the best of our knowledge and experience, all the above information must, in every case, be taken as merely indicative and subject to confirmation after long-term practical application; for this reason, anyone who intends to use Polymax products must ensure beforehand that it is suitable for the envisaged application. In every case, the user alone is fully responsible for any consequences deriving from the use of the product. All sales subject to our standard terms www.polymax.co.uk/sales-terms



Cylindrical Bumper 28D x 25H

Product SKU: 6001200

Hardwearing rubbers stoppers suitable for a range of general applications. Can be used as spacers, door stops or as replacement feet.

Polymax rubber stoppers work great as door stops or as screw on rubber feet. They are made from a hard wearing SBR/NR blend and are available in a variety of shapes and sizes to suit your application. The cylindrical bumpers are most suitable for areas where buildings or corners need to be protected from swinging doors or trolleys for example.

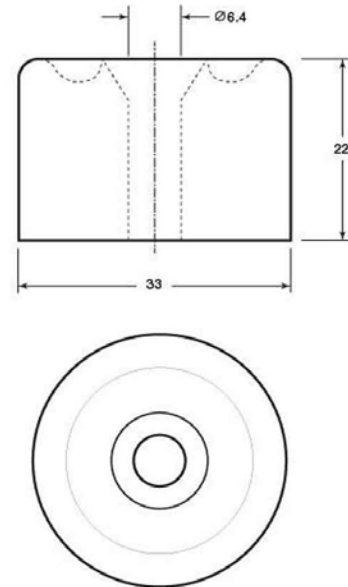
Colour: Black

Material: NR/SBR

Operating temperature range: -15°C to 70°C

Physical Property	Unit	Typical Values
Hardness	ShA	75
Elongation at Break	%	200
Tensile Strength	MPa	4
Weight	KG	0.02

Although the technical details and recommendations made correspond to the best of our knowledge and experience, all the above information must, in every case, be taken as merely indicative and subject to confirmation after long-term practical application; for this reason, anyone who intends to use Polymax products must ensure beforehand that it is suitable for the envisaged application. In every case, the user alone is fully responsible for any consequences deriving from the use of the product. All sales subject to our standard terms www.polymax.co.uk/sales-terms



Cylindrical Bumper 33D x 22H

Product SKU: 6006501

Hardwearing rubbers stoppers suitable for a range of general applications. Can be used as spacers, door stops or as replacement feet.

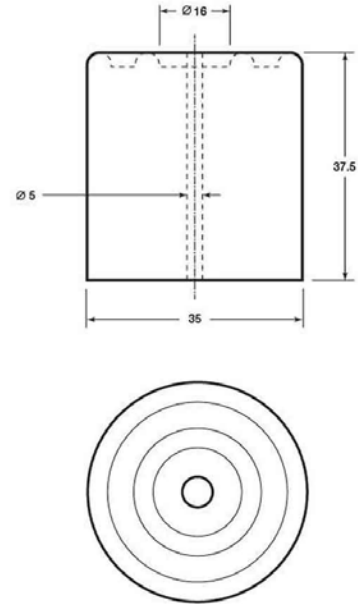
Polymax rubber stoppers work great as door stops or as screw on rubber feet. They are made from a hard wearing SBR/NR blend and are available in a variety of shapes and sizes to suit your application. The cylindrical bumpers are most suitable for areas where buildings or corners need to be protected from swinging doors or trolleys for example.

Colour: Black

Material: NR/SBR

Operating temperature range: -15°C to 70°C

Physical Property	Unit	Typical Values
Hardness	ShA	75
Elongation at Break	%	200
Tensile Strength	MPa	4
Weight	KG	0.024



Cylindrical Bumper 35D x 37H

Product SKU: 6001204

Hardwearing rubbers stoppers suitable for a range of general applications. Can be used as spacers, door stops or as replacement feet.

Polymax rubber stoppers work great as door stops or as screw on rubber feet. They are made from a hard wearing SBR/NR blend and are available in a variety of shapes and sizes to suit your application. The cylindrical bumpers are most suitable for areas where buildings or corners need to be protected from swinging doors or trolleys for example.

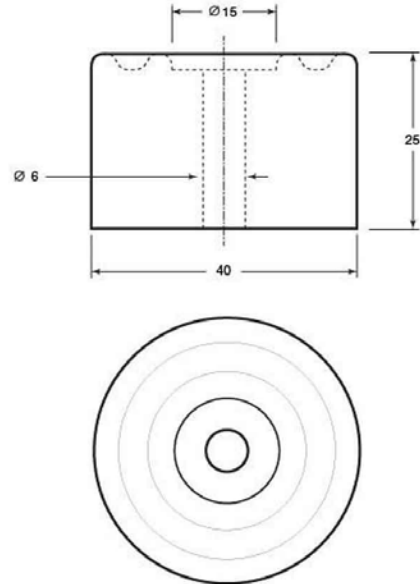
Colour: Black

Material: NR/SBR

Operating temperature range: -15°C to 70°C

Physical Property	Unit	Typical Values
Hardness	ShA	75
Elongation at Break	%	200
Tensile Strength	MPa	4
Weight	KG	0.045

Although the technical details and recommendations made correspond to the best of our knowledge and experience, all the above information must, in every case, be taken as merely indicative and subject to confirmation after long-term practical application; for this reason, anyone who intends to use Polymax products must ensure beforehand that it is suitable for the envisaged application. In every case, the user alone is fully responsible for any consequences deriving from the use of the product. All sales subject to our standard terms www.polymax.co.uk/sales-terms



Cylindrical Bumper 38D x 25H

Product SKU: 6001201

Hardwearing rubbers stoppers suitable for a range of general applications. Can be used as spacers, door stops or as replacement feet.

Polymax rubber stoppers work great as door stops or as screw on rubber feet. They are made from a hard wearing SBR/NR blend and are available in a variety of shapes and sizes to suit your application. The cylindrical bumpers are most suitable for areas where buildings or corners need to be protected from swinging doors or trolleys for example.

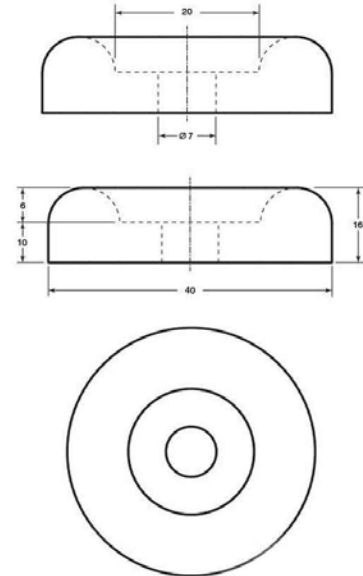
Colour: Black

Material: NR/SBR

Operating temperature range: -15°C to 70°C

Physical Property	Unit	Typical Values
Hardness	ShA	75
Elongation at Break	%	200
Tensile Strength	MPa	4
Weight	KG	0.34

Although the technical details and recommendations made correspond to the best of our knowledge and experience, all the above information must, in every case, be taken as merely indicative and subject to confirmation after long-term practical application; for this reason, anyone who intends to use Polymax products must ensure beforehand that it is suitable for the envisaged application. In every case, the user alone is fully responsible for any consequences deriving from the use of the product. All sales subject to our standard terms www.polymax.co.uk/sales-terms



Cylindrical Bumper 40D x 15H

Product SKU: 6007200

Hardwearing rubbers stoppers suitable for a range of general applications. Can be used as spacers, door stops or as replacement feet.

Polymax rubber stoppers work great as door stops or as screw on rubber feet. They are made from a hard wearing SBR/NR blend and are available in a variety of shapes and sizes to suit your application. The cylindrical bumpers are most suitable for areas where buildings or corners need to be protected from swinging doors or trolleys for example.

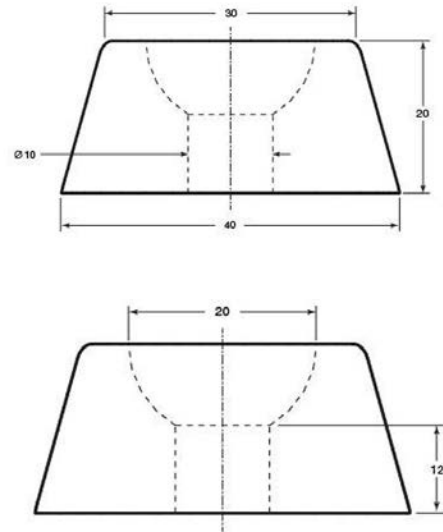
Colour: Black

Material: NR/SBR

Operating temperature range: -15°C to 70°C

Physical Property	Unit	Typical Values
Hardness	ShA	75
Elongation at Break	%	200
Tensile Strength	MPa	4
Weight	KG	0.02

Although the technical details and recommendations made correspond to the best of our knowledge and experience, all the above information must, in every case, be taken as merely indicative and subject to confirmation after long-term practical application; for this reason, anyone who intends to use Polymax products must ensure beforehand that it is suitable for the envisaged application. In every case, the user alone is fully responsible for any consequences deriving from the use of the product. All sales subject to our standard terms www.polymax.co.uk/sales-terms



Cylindrical Bumper 40D x 20H

Product SKU: 6001205

Hardwearing rubbers stoppers suitable for a range of general applications. Can be used as spacers, door stops or as replacement feet.

Polymax rubber stoppers work great as door stops or as screw on rubber feet. They are made from a hard wearing SBR/NR blend and are available in a variety of shapes and sizes to suit your application. The cylindrical bumpers are most suitable for areas where buildings or corners need to be protected from swinging doors or trolleys for example.

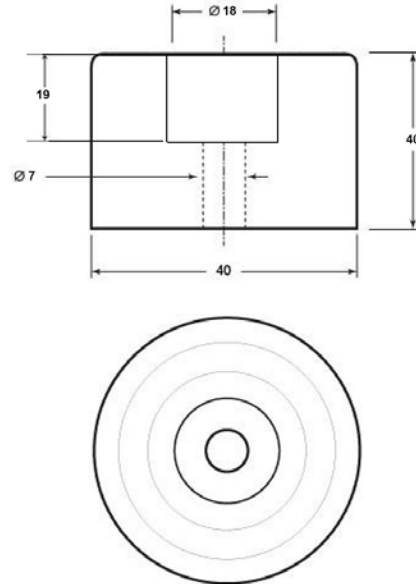
Colour: Black

Material: NR/SBR

Operating temperature range: -15°C to 70°C

Physical Property	Unit	Typical Values
Hardness	ShA	75
Elongation at Break	%	200
Tensile Strength	MPa	4
Weight	KG	0.021

Although the technical details and recommendations made correspond to the best of our knowledge and experience, all the above information must, in every case, be taken as merely indicative and subject to confirmation after long-term practical application; for this reason, anyone who intends to use Polymax products must ensure beforehand that it is suitable for the envisaged application. In every case, the user alone is fully responsible for any consequences deriving from the use of the product. All sales subject to our standard terms www.polymax.co.uk/sales-terms



Cylindrical Bumper 40D x 40H

Product SKU: 6001207

Hardwearing rubbers stoppers suitable for a range of general applications. Can be used as spacers, door stops or as replacement feet.

Polymax rubber stoppers work great as door stops or as screw on rubber feet. They are made from a hard wearing SBR/NR blend and are available in a variety of shapes and sizes to suit your application. The cylindrical bumpers are most suitable for areas where buildings or corners need to be protected from swinging doors or trolleys for example.

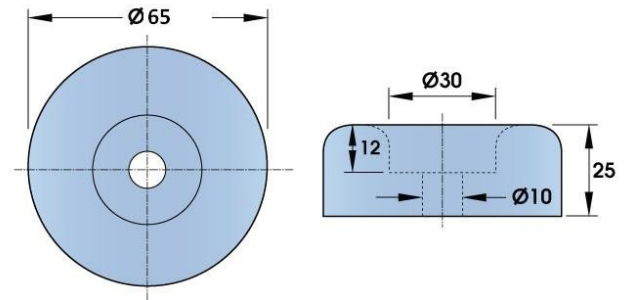
Colour: Black

Material: NR/SBR

Operating temperature range: -15°C to 70°C

Physical Property	Unit	Typical Values
Hardness	ShA	75
Elongation at Break	%	200
Tensile Strength	MPa	4
Weight	KG	0.05

Although the technical details and recommendations made correspond to the best of our knowledge and experience, all the above information must, in every case, be taken as merely indicative and subject to confirmation after long-term practical application; for this reason, anyone who intends to use Polymax products must ensure beforehand that it is suitable for the envisaged application. In every case, the user alone is fully responsible for any consequences deriving from the use of the product. All sales subject to our standard terms www.polymax.co.uk/sales-terms



Cylindrical Bumper 65D x 25H

Product SKU: 6001202

Hardwearing rubbers stoppers suitable for a range of general applications. Can be used as spacers, door stops or as replacement feet.

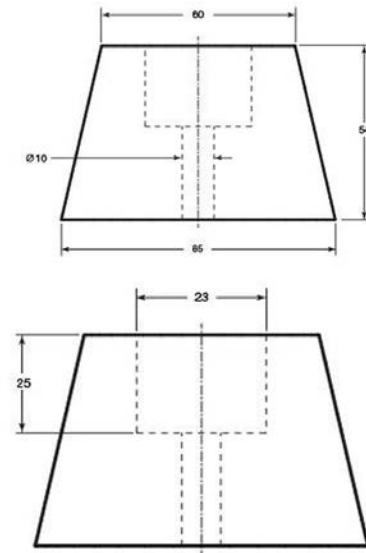
Polymax rubber stoppers work great as door stops or as screw on rubber feet. They are made from a hard wearing SBR/NR blend and are available in a variety of shapes and sizes to suit your application. The cylindrical bumpers are most suitable for areas where buildings or corners need to be protected from swinging doors or trolleys for example.

Colour: Black

Material: NR/SBR

Operating temperature range: -15°C to 70°C

Physical Property	Unit	Typical Values
Hardness	ShA	75
Elongation at Break	%	200
Tensile Strength	MPa	4
Weight	KG	0.09



Cylindrical Bumper 85D x 54H

Product SKU: 6006102

Hardwearing rubbers stoppers suitable for a range of general applications. Can be used as spacers, door stops or as replacement feet.

Polymax rubber stoppers work great as door stops or as screw on rubber feet. They are made from a hard wearing SBR/NR blend and are available in a variety of shapes and sizes to suit your application. The cylindrical bumpers are most suitable for areas where buildings or corners need to be protected from swinging doors or trolleys for example.

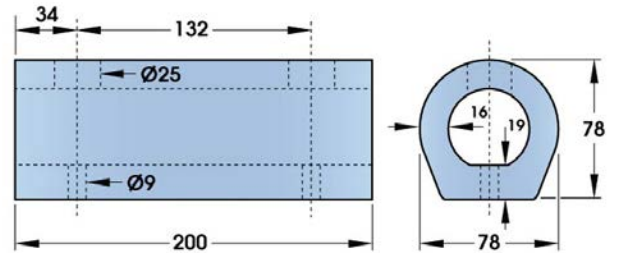
Colour: Black

Material: NR/SBR

Operating temperature range: -15°C to 70°C

Physical Property	Unit	Typical Values
Hardness	ShA	75
Elongation at Break	%	200
Tensile Strength	MPa	4
Weight	KG	0.27

Although the technical details and recommendations made correspond to the best of our knowledge and experience, all the above information must, in every case, be taken as merely indicative and subject to confirmation after long-term practical application; for this reason, anyone who intends to use Polymax products must ensure beforehand that it is suitable for the envisaged application. In every case, the user alone is fully responsible for any consequences deriving from the use of the product. All sales subject to our standard terms www.polymax.co.uk/sales-terms



D-Type Bumper 200L x 78W x 78H

Product SKU: 6006300

The D-Type bumper is ideal for docking bays, trucks and boats. A progressive buffer that is hollow cored. Comes with predrilled holes for fixings.

One of the best sellers in our bumper range, the D-type bumper is designed to give the best deflective force against heavy and repetitive impact. Made from a durable blend of SBR/NR rubber it's a simple yet effective design to protect walls and other surfaces.

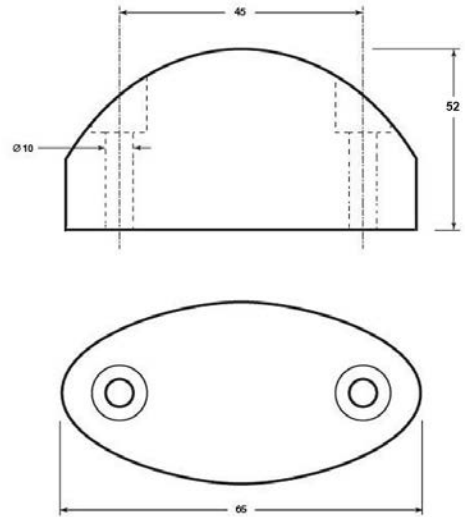
Colour: Black

Material: NR/SBR

Operating temperature range: -15°C to 70°C

Physical Property	Unit	Typical Values
Hardness	ShA	75
Elongation at Break	%	200
Tensile Strength	MPa	4
Weight	KG	0.89

Although the technical details and recommendations made correspond to the best of our knowledge and experience, all the above information must, in every case, be taken as merely indicative and subject to confirmation after long-term practical application; for this reason, anyone who intends to use Polymax products must ensure beforehand that it is suitable for the envisaged application. In every case, the user alone is fully responsible for any consequences deriving from the use of the product. All sales subject to our standard terms www.polymax.co.uk/sales-terms



Oval Buffer Extended 65L x 33W x 52H

Product SKU: 6006402

Two bolt hole rubber bump stops suitable for use on lorries, vans, ramps, loading bays and doors.

The oval rubber bumper stop can be easily fitted to almost any surface via the counter sunk holes. These buffers are made from hardwearing UV resistant SBR rubber and are available as hollow cored or a non-hollow cored version. There are 3 versions of this buffer: The solid buffer for heavy impact, a hollow cored version to suit lighter applications and the extended base version which gives 52mm of clearance.

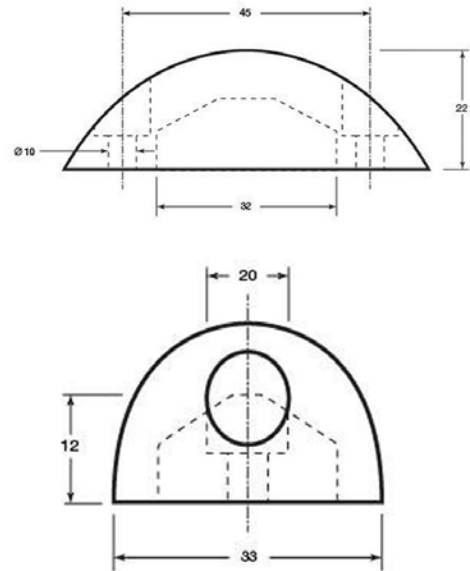
Colour: Black

Material: NR/SBR

Operating temperature range: -15°C to 70°C

Physical Property	Unit	Typical Values
Hardness	ShA	75
Elongation at Break	%	200
Tensile Strength	MPa	4
Weight	KG	0.09

Although the technical details and recommendations made correspond to the best of our knowledge and experience, all the above information must, in every case, be taken as merely indicative and subject to confirmation after long-term practical application; for this reason, anyone who intends to use Polymax products must ensure beforehand that it is suitable for the envisaged application. In every case, the user alone is fully responsible for any consequences deriving from the use of the product. All sales subject to our standard terms www.polymax.co.uk/sales-terms



Oval Buffer Hollow 65L x 33W x 22H

Product SKU: 6006400

Two bolt hole rubber bump stops suitable for use on lorries, vans, ramps, loading bays and doors.

The oval rubber bumper stop can be easily fitted to almost any surface via the counter sunk holes. These buffers are made from hardwearing UV resistant SBR rubber and are available as hollow cored or a non-hollow cored version. There are 3 versions of this buffer: The solid buffer for heavy impact, a hollow cored version to suit lighter applications and the extended base version which gives 52mm of clearance.

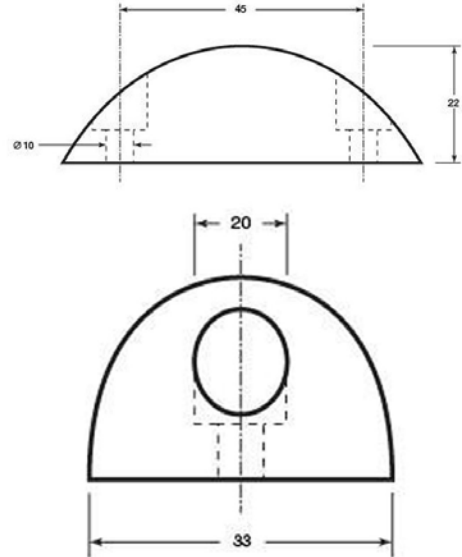
Colour: Black

Material: NR/SBR

Operating temperature range: -15°C to 70°C

Physical Property	Unit	Typical Values
Hardness	ShA	75
Elongation at Break	%	200
Tensile Strength	MPa	4
Weight	KG	0.025

Although the technical details and recommendations made correspond to the best of our knowledge and experience, all the above information must, in every case, be taken as merely indicative and subject to confirmation after long-term practical application; for this reason, anyone who intends to use Polymax products must ensure beforehand that it is suitable for the envisaged application. In every case, the user alone is fully responsible for any consequences deriving from the use of the product. All sales subject to our standard terms www.polymax.co.uk/sales-terms



Oval Buffer Solid 65L x 33W x 22H

Product SKU: 6006401

Two bolt hole rubber bump stops suitable for use on lorries, vans, ramps, loading bays and doors.

The oval rubber bumper stop can be easily fitted to almost any surface via the counter sunk holes. These buffers are made from hardwearing UV resistant SBR rubber and are available as hollow cored or a non-hollow cored version. There are 3 versions of this buffer: The solid buffer for heavy impact, a hollow cored version to suit lighter applications and the extended base version which gives 52mm of clearance.

Colour: Black

Material: NR/SBR

Operating temperature range: -15°C to 70°C

Physical Property	Unit	Typical Values
Hardness	ShA	75
Elongation at Break	%	200
Tensile Strength	MPa	4
Weight	KG	0.041

Although the technical details and recommendations made correspond to the best of our knowledge and experience, all the above information must, in every case, be taken as merely indicative and subject to confirmation after long-term practical application; for this reason, anyone who intends to use Polymax products must ensure beforehand that it is suitable for the envisaged application. In every case, the user alone is fully responsible for any consequences deriving from the use of the product. All sales subject to our standard terms www.polymax.co.uk/sales-terms



Rectangular Buffer 125L x 65W x 90H

Product SKU: 6001215

Our collection of rectangular shaped rubber buffers for use on lorries, vans, ramps, loading bays and doors.

These rubber buffers are made from a hardwearing blend of SBR/NR rubber and are available in various sizes. These rectangular buffers can be used in a range of applications such as on boats, lorries and docking bays. The rubber buffers protect against harsh impacts, they can be bolted directly to the desired surface using the pre-drilled counter sunk holes.

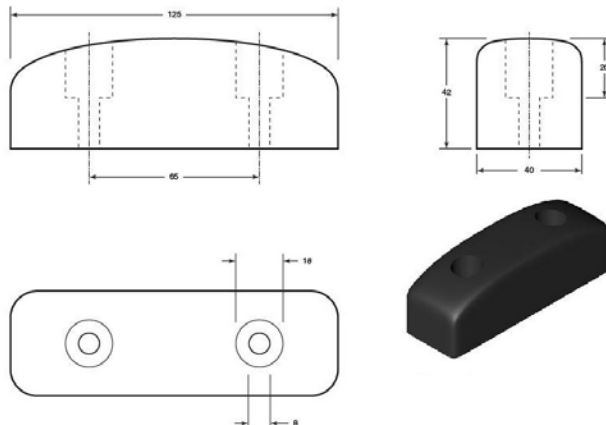
Colour: Black

Material: NR/SBR

Operating temperature range: -15°C to 70°C

Physical Property	Unit	Typical Values
Hardness	ShA	75
Elongation at Break	%	200
Tensile Strength	MPa	4
Weight	KG	0.9

Although the technical details and recommendations made correspond to the best of our knowledge and experience, all the above information must, in every case, be taken as merely indicative and subject to confirmation after long-term practical application; for this reason, anyone who intends to use Polymax products must ensure beforehand that it is suitable for the envisaged application. In every case, the user alone is fully responsible for any consequences deriving from the use of the product. All sales subject to our standard terms www.polymax.co.uk/sales-terms



Rectangular Buffer 127L x 41W x 43H

Product SKU: 6007105

Our collection of rectangular shaped rubber buffers for use on lorries, vans, ramps, loading bays and doors.

These rubber buffers are made from a hardwearing blend of SBR/NR rubber and are available in various sizes. These rectangular buffers can be used in a range of applications such as on boats, lorries and docking bays. The rubber buffers protect against harsh impacts, they can be bolted directly to the desired surface using the pre-drilled counter sunk holes.

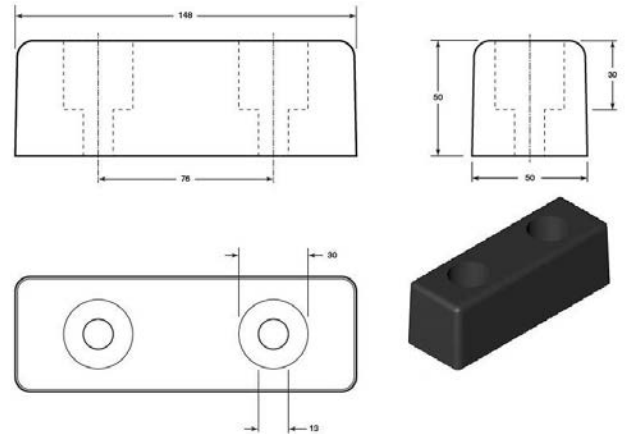
Colour: Black

Material: NR/SBR

Operating temperature range: -15°C to 70°C

Physical Property	Unit	Typical Values
Hardness	ShA	75
Elongation at Break	%	200
Tensile Strength	MPa	4
Weight	KG	0.23

Although the technical details and recommendations made correspond to the best of our knowledge and experience, all the above information must, in every case, be taken as merely indicative and subject to confirmation after long-term practical application; for this reason, anyone who intends to use Polymax products must ensure beforehand that it is suitable for the envisaged application. In every case, the user alone is fully responsible for any consequences deriving from the use of the product. All sales subject to our standard terms www.polymax.co.uk/sales-terms



Rectangular Buffer 148L x 50W x 50H

Product SKU: 6007103

Our collection of rectangular shaped rubber buffers for use on lorries, vans, ramps, loading bays and doors.

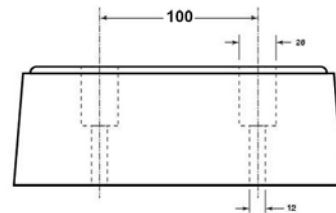
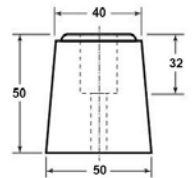
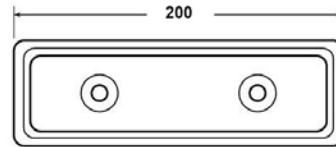
These rubber buffers are made from a hardwearing blend of SBR/NR rubber and are available in various sizes. These rectangular buffers can be used in a range of applications such as on boats, lorries and docking bays. The rubber buffers protect against harsh impacts, they can be bolted directly to the desired surface using the pre-drilled counter sunk holes.

Colour: Black

Material: NR/SBR

Operating temperature range: -15°C to 70°C

Physical Property	Unit	Typical Values
Hardness	ShA	75
Elongation at Break	%	200
Tensile Strength	MPa	4
Weight	KG	0.35



Rectangular Buffer 200L x 50W x 50H

Product SKU: 6007104

Our collection of rectangular shaped rubber buffers for use on lorries, vans, ramps, loading bays and doors.

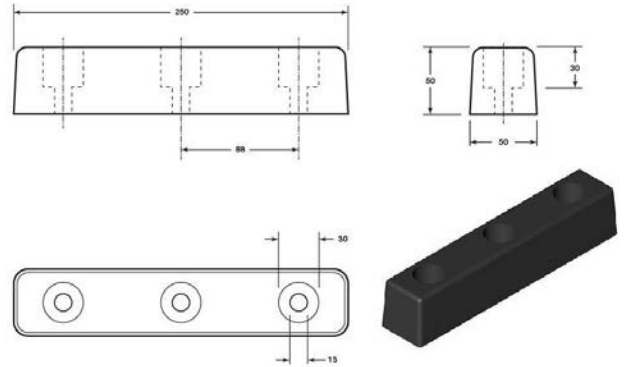
These rubber buffers are made from a hardwearing blend of SBR/NR rubber and are available in various sizes. These rectangular buffers can be used in a range of applications such as on boats, lorries and docking bays. The rubber buffers protect against harsh impacts, they can be bolted directly to the desired surface using the pre-drilled counter sunk holes.

Colour: Black

Material: NR/SBR

Operating temperature range: -15°C to 70°C

Physical Property	Unit	Typical Values
Hardness	ShA	75
Elongation at Break	%	200
Tensile Strength	MPa	4
Weight	KG	0.45



Rectangular Buffer 247L x 50W x 50H

Product SKU: 6007102

Our collection of rectangular shaped rubber buffers for use on lorries, vans, ramps, loading bays and doors.

These rubber buffers are made from a hardwearing blend of SBR/NR rubber and are available in various sizes. These rectangular buffers can be used in a range of applications such as on boats, lorries and docking bays. The rubber buffers protect against harsh impacts, they can be bolted directly to the desired surface using the pre-drilled counter sunk holes.

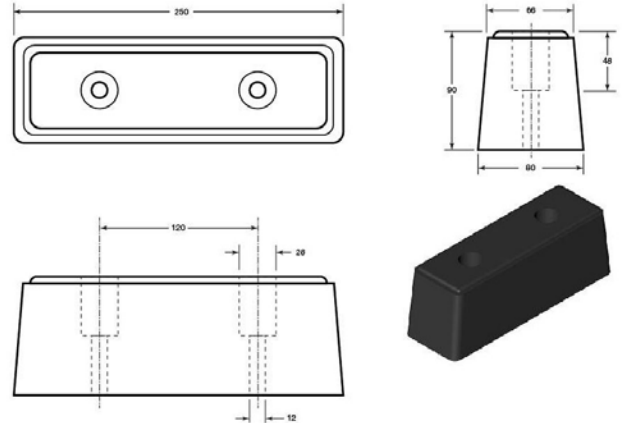
Colour: Black

Material: NR/SBR

Operating temperature range: -15°C to 70°C

Physical Property	Unit	Typical Values
Hardness	ShA	75
Elongation at Break	%	200
Tensile Strength	MPa	4
Weight	KG	0.7

Although the technical details and recommendations made correspond to the best of our knowledge and experience, all the above information must, in every case, be taken as merely indicative and subject to confirmation after long-term practical application; for this reason, anyone who intends to use Polymax products must ensure beforehand that it is suitable for the envisaged application. In every case, the user alone is fully responsible for any consequences deriving from the use of the product. All sales subject to our standard terms www.polymax.co.uk/sales-terms



Rectangular Buffer 250L x 80W x 90H

Product SKU: 6007201

Our collection of rectangular shaped rubber buffers for use on lorries, vans, ramps, loading bays and doors.

These rubber buffers are made from a hardwearing blend of SBR/NR rubber and are available in various sizes. These rectangular buffers can be used in a range of applications such as on boats, lorries and docking bays. The rubber buffers protect against harsh impacts, they can be bolted directly to the desired surface using the pre-drilled counter sunk holes.

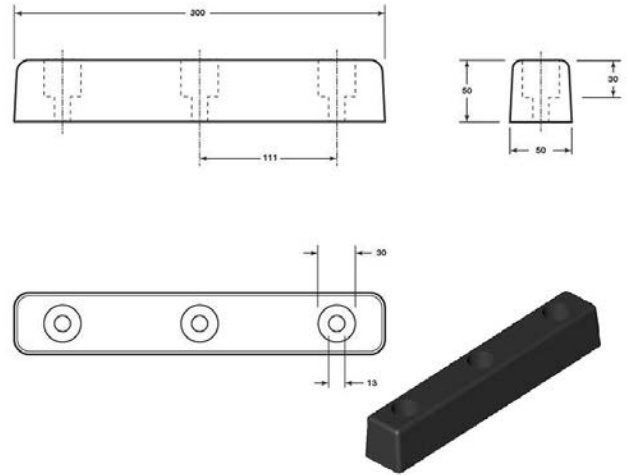
Colour: Black

Material: NR/SBR

Operating temperature range: -15°C to 70°C

Physical Property	Unit	Typical Values
Hardness	ShA	75
Elongation at Break	%	200
Tensile Strength	MPa	4
Weight	KG	1.8

Although the technical details and recommendations made correspond to the best of our knowledge and experience, all the above information must, in every case, be taken as merely indicative and subject to confirmation after long-term practical application; for this reason, anyone who intends to use Polymax products must ensure beforehand that it is suitable for the envisaged application. In every case, the user alone is fully responsible for any consequences deriving from the use of the product. All sales subject to our standard terms www.polymax.co.uk/sales-terms



Rectangular Buffer 302L x 50W x 50H

Product SKU: 6007100

Our collection of rectangular shaped rubber buffers for use on lorries, vans, ramps, loading bays and doors.

These rubber buffers are made from a hardwearing blend of SBR/NR rubber and are available in various sizes. These rectangular buffers can be used in a range of applications such as on boats, lorries and docking bays. The rubber buffers protect against harsh impacts, they can be bolted directly to the desired surface using the pre-drilled counter sunk holes.

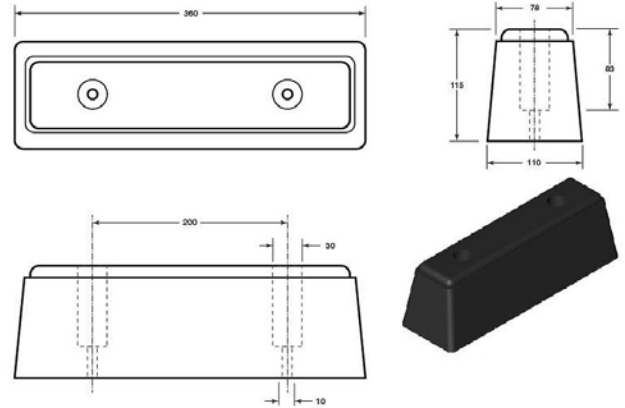
Colour: Black

Material: NR/SBR

Operating temperature range: -15°C to 70°C

Physical Property	Unit	Typical Values
Hardness	ShA	75
Elongation at Break	%	200
Tensile Strength	MPa	4
Weight	KG	0.77

Although the technical details and recommendations made correspond to the best of our knowledge and experience, all the above information must, in every case, be taken as merely indicative and subject to confirmation after long-term practical application; for this reason, anyone who intends to use Polymax products must ensure beforehand that it is suitable for the envisaged application. In every case, the user alone is fully responsible for any consequences deriving from the use of the product. All sales subject to our standard terms www.polymax.co.uk/sales-terms



Rectangular Buffer 360L x 100W x 115H

Product SKU: 6007202

Our collection of rectangular shaped rubber buffers for use on lorries, vans, ramps, loading bays and doors.

These rubber buffers are made from a hardwearing blend of SBR/NR rubber and are available in various sizes. These rectangular buffers can be used in a range of applications such as on boats, lorries and docking bays. The rubber buffers protect against harsh impacts, they can be bolted directly to the desired surface using the pre-drilled counter sunk holes.

Colour: Black

Material: NR/SBR

Operating temperature range: -15°C to 70°C

Physical Property	Unit	Typical Values
Hardness	ShA	75
Elongation at Break	%	200
Tensile Strength	MPa	4
Weight	KG	3.76



Rectangular Buffer 400L x 80W x 72H

Product SKU: 6010922

Our collection of rectangular shaped rubber buffers for use on lorries, vans, ramps, loading bays and doors.

These rubber buffers are made from a hardwearing blend of SBR/NR rubber and are available in various sizes. These rectangular buffers can be used in a range of applications such as on boats, lorries and docking bays. The rubber buffers protect against harsh impacts, they can be bolted directly to the desired surface using the pre-drilled counter sunk holes.

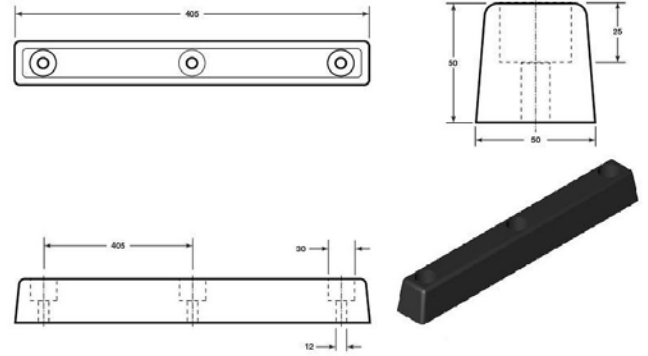
Colour: Black

Material: NR/SBR

Operating temperature range: -15°C to 70°C

Physical Property	Unit	Typical Values
Hardness	ShA	75
Elongation at Break	%	200
Tensile Strength	MPa	4
Weight	KG	2.5

Although the technical details and recommendations made correspond to the best of our knowledge and experience, all the above information must, in every case, be taken as merely indicative and subject to confirmation after long-term practical application; for this reason, anyone who intends to use Polymax products must ensure beforehand that it is suitable for the envisaged application. In every case, the user alone is fully responsible for any consequences deriving from the use of the product. All sales subject to our standard terms www.polymax.co.uk/sales-terms



Rectangular Buffer 405L x 50W x 50H

Product SKU: 6007101

Our collection of rectangular shaped rubber buffers for use on lorries, vans, ramps, loading bays and doors.

These rubber buffers are made from a hardwearing blend of SBR/NR rubber and are available in various sizes. These rectangular buffers can be used in a range of applications such as on boats, lorries and docking bays. The rubber buffers protect against harsh impacts, they can be bolted directly to the desired surface using the pre-drilled counter sunk holes.

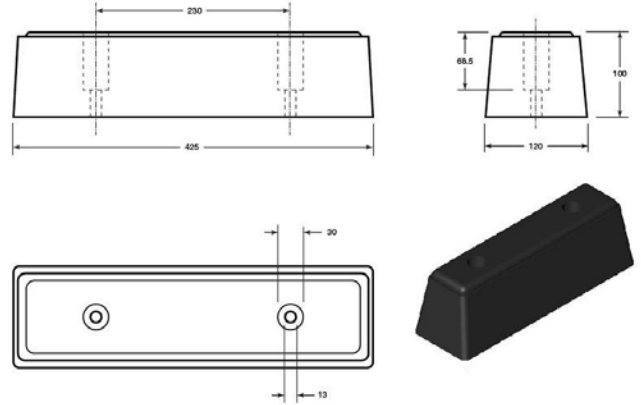
Colour: Black

Material: NR/SBR

Operating temperature range: -15°C to 70°C

Physical Property	Unit	Typical Values
Hardness	ShA	75
Elongation at Break	%	200
Tensile Strength	MPa	4
Weight	KG	1.1

Although the technical details and recommendations made correspond to the best of our knowledge and experience, all the above information must, in every case, be taken as merely indicative and subject to confirmation after long-term practical application; for this reason, anyone who intends to use Polymax products must ensure beforehand that it is suitable for the envisaged application. In every case, the user alone is fully responsible for any consequences deriving from the use of the product. All sales subject to our standard terms www.polymax.co.uk/sales-terms



Rectangular Buffer 425L x 120W x 100H

Product SKU: 6007203

Our collection of rectangular shaped rubber buffers for use on lorries, vans, ramps, loading bays and doors.

These rubber buffers are made from a hardwearing blend of SBR/NR rubber and are available in various sizes. These rectangular buffers can be used in a range of applications such as on boats, lorries and docking bays. The rubber buffers protect against harsh impacts, they can be bolted directly to the desired surface using the pre-drilled counter sunk holes.

Colour: Black

Material: NR/SBR

Operating temperature range: -15°C to 70°C

Physical Property	Unit	Typical Values
Hardness	ShA	75
Elongation at Break	%	200
Tensile Strength	MPa	4
Weight	KG	6.1

Although the technical details and recommendations made correspond to the best of our knowledge and experience, all the above information must, in every case, be taken as merely indicative and subject to confirmation after long-term practical application; for this reason, anyone who intends to use Polymax products must ensure beforehand that it is suitable for the envisaged application. In every case, the user alone is fully responsible for any consequences deriving from the use of the product. All sales subject to our standard terms www.polymax.co.uk/sales-terms