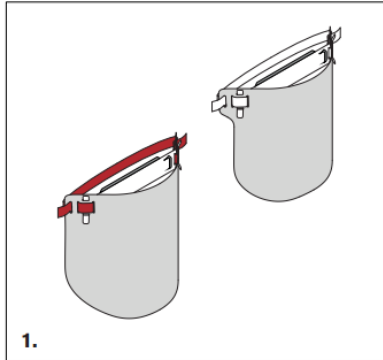
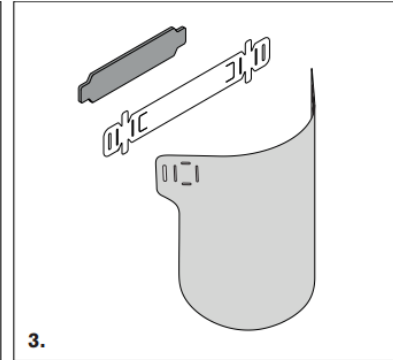
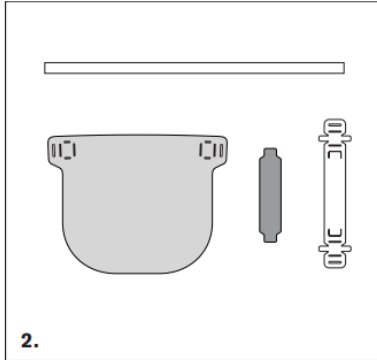


Face Shield Instructions for Use

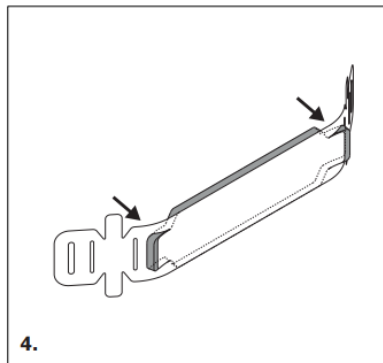
We recommend wearing PPE & gloves for manufacture and assembly



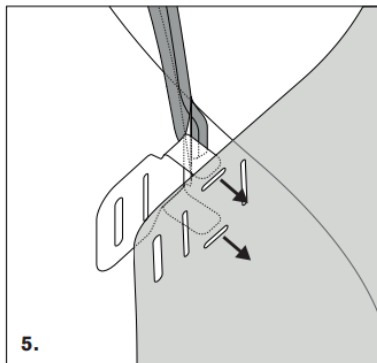
1. Visor component comes in two sizes. Use white silicone for small visors. Use red silicone for large visors.



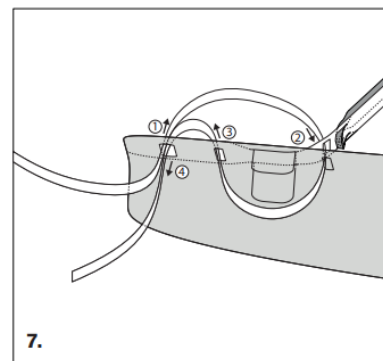
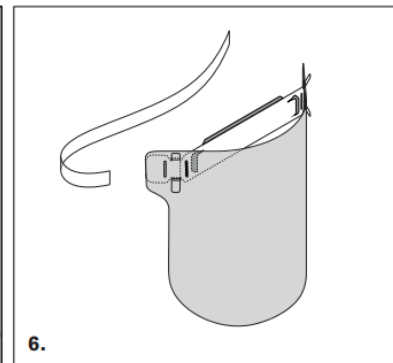
3. Visor can be used with or without the foam insert.



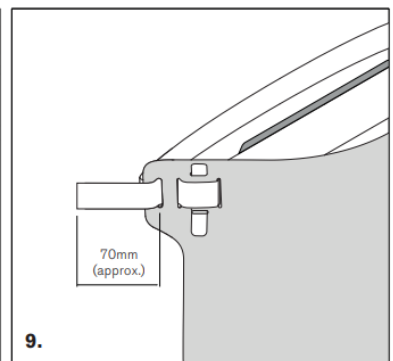
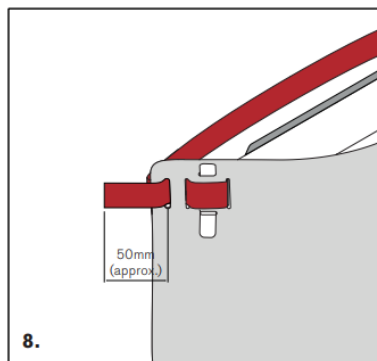
4. Push the foam through tabs in the headband to secure it in place.



5. Pinch the tabs on the headband and insert through the visor.



7. Thread the silicone band as per the diagram above.



9. The strap should be slightly tighter on the small visor. Do not overtighten.

Although the technical details and recommendations made correspond to the best of our knowledge and experience, all the above information must, in every case, be taken as merely indicative and subject to confirmation after long-term practical application; for this reason, anyone who intends to use Polymax products must ensure beforehand that it is suitable for the envisaged application. In every case, the user alone is fully responsible for any consequences deriving from the use of the product. All sales subject to our standard terms. www.polymax.co.uk/sales-terms

Cleaning and Storage

Polymax has not undertaken any testing of cleaning procedures for the face visor whether specifically for COVID-19 or otherwise. Users should follow their own organisations procedures for cleaning and sterilisation subject to testing the effect of the chosen cleaning solution and method on one visor first and then thoroughly inspecting the integrity of the visor and its component parts before adopting the chosen method more widely.

Due to COVID-19 being a new enveloped virus, the efficacy of the standard decontamination methods are not fully understood at this stage. However, at present, this existing knowledge offers the best available approach. Please note that Polymax is not responsible for the content of external websites and it is recommended that you undertake your own due diligence to ensure the face visors you manufacture or use are safe.

How to clean the face visor

The visor should be fully disassembled prior to cleaning. Users should follow their own organisations procedures for cleaning and sterilisation subject to testing the effect of the chosen cleaning solution and method on one visor first and then thoroughly inspecting the integrity of the visor and its component parts before adopting the chosen method more widely.

WARNING: Before you apply any disinfection solution, we advise testing it first near one edge of the visor and inspecting whether the solution has caused damage to the surface of the visor.

Hospitals and other medical workplaces may choose to use their professional sterilising equipment to decontaminate the face visors. Again, we advise sterilising a single visor using the chosen method followed by a thorough check for possible damage prior to adopting this method for cleaning the visors more widely.

Always use appropriate PPE when handling decontamination fluids, chemicals and equipment and follow your organisation's guidelines on the same.

How to store the face visor

There is still debate about how long the virus survives on plastic, but most sources say 2-3 days. By letting the packed face visors sit for 2-3 days before distributing them, you'll greatly reduce risk of transmission. Please do your own research to understand the most up-to-date information on this issue.

Do not store the entire stock in one place to minimise the risk of cross contamination. Always sterilise the visors before use.